

# PVC-U Double union spring check valves CV

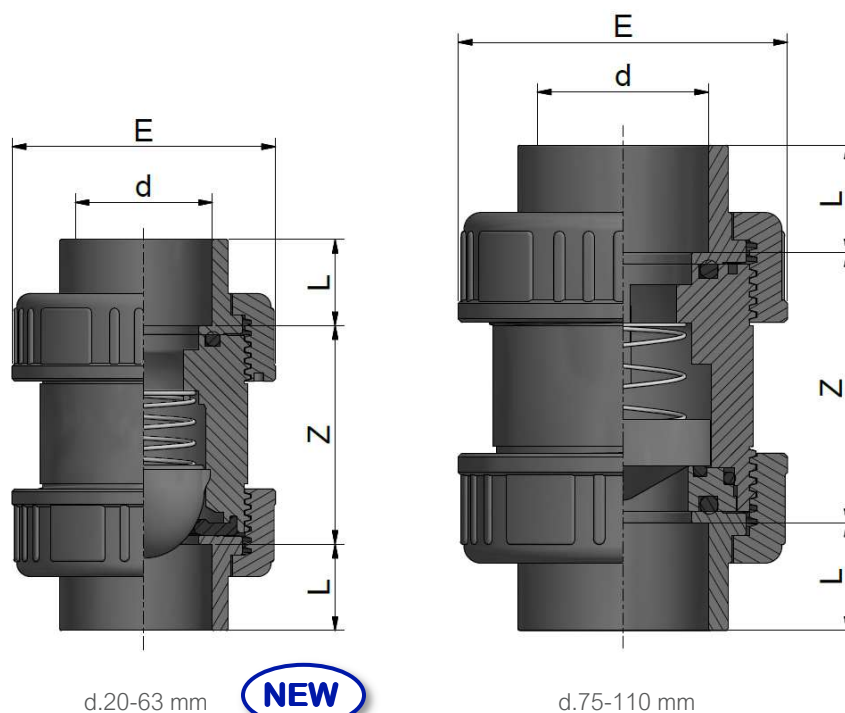
## PVC-U Valvole di non ritorno radiali a molla CV

### METRIC SOLVENT WELDED SOCKETS

### MANICOTTI METRICI PER INCOLLAGGIO

Rev. Oct 2020

- Spring: PTFE coated stainless steel / Molla: acciaio inox rivestito PTFE
- Seals: EPDM or FKM / Guarnizioni: EPDM o FKM



**NEW**

Code EPDM	Code FKM	d	DN	L	Z	E	PN	Weight (g)
CDRCVDT0160	CDRCVDT016V	16	15	14,5	51	49	16	104
CDRCVDT0200	CDRCVDT020V	20	15	16	48	49	16	104
CDRCVDT0250	CDRCVDT025V	25	20	19	54	60	16	170
CDRCVDT0320	CDRCVDT032V	32	25	22	62	69	16	251
CDRCVDT0400	CDRCVDT040V	40	32	26	69	80	16	378
CDRCVDT0500	CDRCVDT050V	50	40	31	81	96	16	593
CDRCVDT0630	CDRCVDT063V	63	50	39	94	116	16	1025
CDRCVDT0750	CDRCVDT075V	75	80	44	141	167	16	2800
CDRCVDT0900	CDRCVDT090V	90	80	51	140	167	16	3000
CDRCVDT1100	CDRCVDT110V	110	100	61	157	179	10	5000

